

# YZ4 SF2

## SETTING SHEET Ver.01

### CIRCUIT

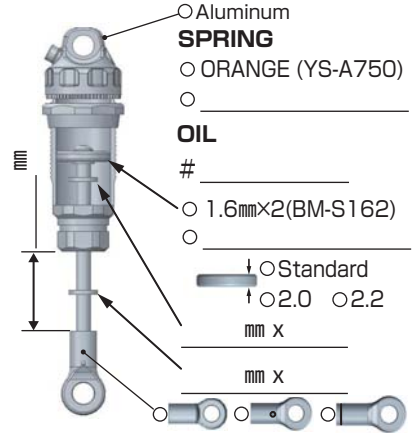
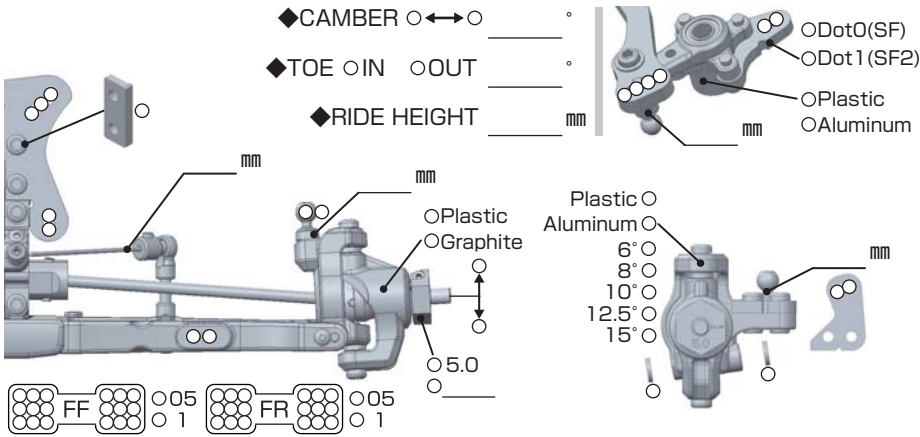
- INDOOR  OUTDOOR  
 DIRT  ASTROTURF  CARPET  GLASS  WOOD  
 WET  DRY  DUSTY  SMOOTH  BUMPY  
 HARD PACKED  CLAY  BIUE GROOVE  \_\_\_\_\_  
 LOW TRACTION  MED TRACTION  HIGH TRACTION

DRIVER \_\_\_\_\_

DATE \_\_\_\_\_

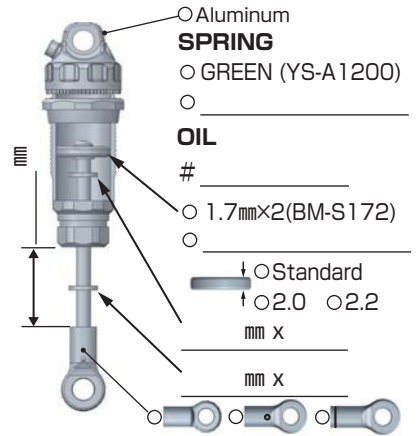
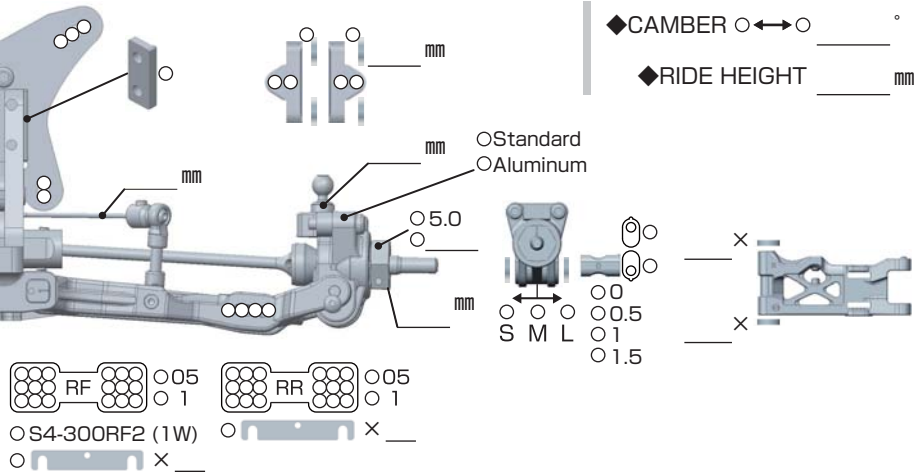
### FRONT

- ◆CAMBER  ←  \_\_\_\_\_ °  
 ◆TOE  IN  OUT \_\_\_\_\_ °  
 ◆RIDE HEIGHT \_\_\_\_\_ mm

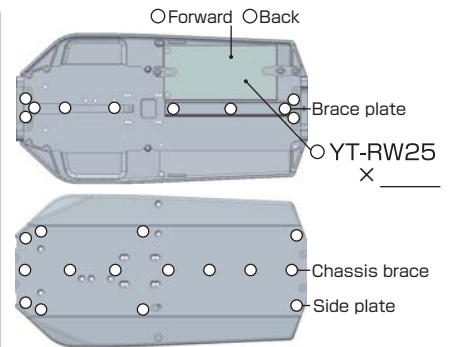
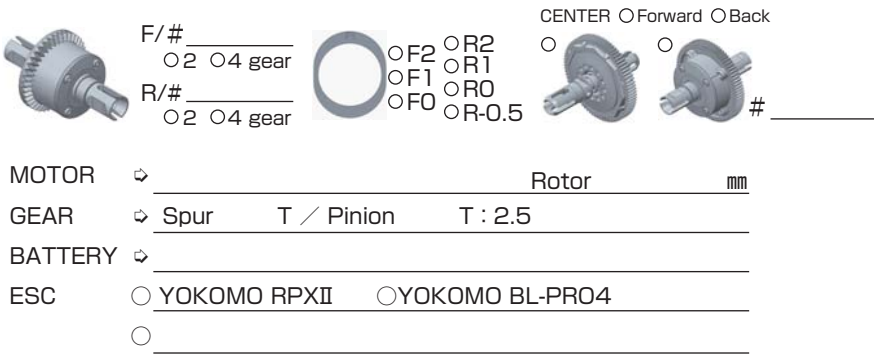


### REAR

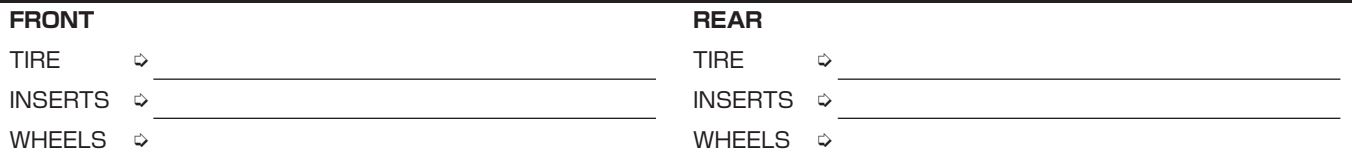
- ◆CAMBER  ←  \_\_\_\_\_ °  
 ◆RIDE HEIGHT \_\_\_\_\_ mm



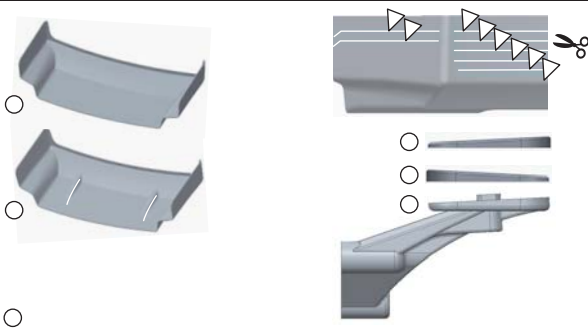
### DRIVE



### TIRE



### OTHER



### COMMENT

\_\_\_\_\_